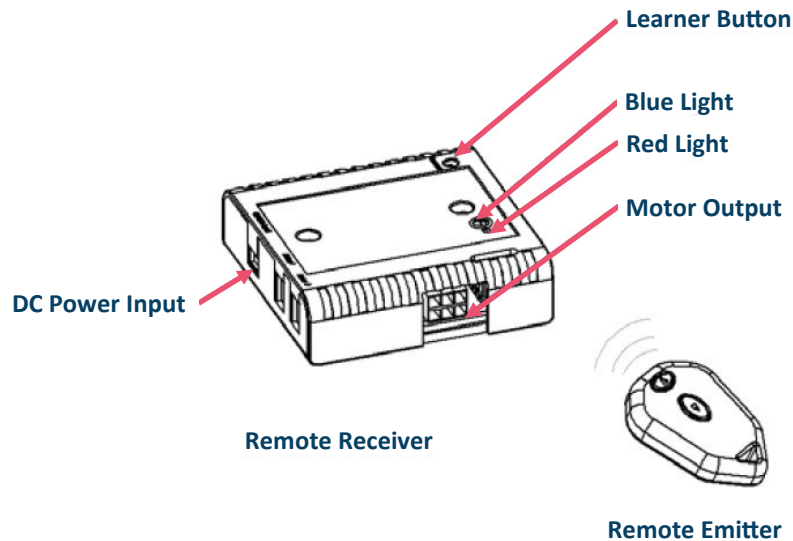




## Venset RF Remote System - User Guide



### Installation

- Connect the power supply and the motor unit to the remote receiver.
  - After having connected the plugs, the blue light should be lit
  - Push the up button on the emitter and the lift should trigger to open.
  - Push the down button on the emitter and the lift should trigger to close

### Learning & Coding Of Remote Emitter

- If your new remote doesn't trigger the RF panel after installation you should try resetting the receiver panel.
- You can reset the RF panel by holding the learner button down for 10 seconds. You will know this has been successful when the red light turns off.
  - You will then need to code your remote with the RF panel by following the steps below;

**Step 1** - Push the learner button on the RF panel for less than 1 second

**Step 2** - Press any button on the remote emitter. (The red light on the RF panel should start flashing at this point)

**Step 3** - Press any button on the remote emitter and the red light should turn off. Showing the panel and emitter have been paired successfully.

**Step 4** - Test the up and down buttons. If it still doesn't work start again from Step 1.

### External Rocker Switch

- The Venset RF remote control kit comes with an external rocker switch. You plug this into the spare input of the RF panel
  - This can be used as a manual way to operate your TV lift as well as the remote emitter.
- We recommend fitting this so it is accessible outside of the cabinet so that you can operate your lift in the event that you lose your remote emitter

# Venset RF Remote System - Jumper Settings

Inside the RF box you will see 4 moveable "Jumpers". These can be lifted and refitted into different left or right configurations dependent on how you'd like your TV lift to act.

## Jumper A - Power Safety Cut Off Time

Default Left Position= 60 Seconds. If you move this jump to the right position the lift will power off automatically after the motor has run for 20 seconds.

## Jumper B - Power Safety Cut Off Time

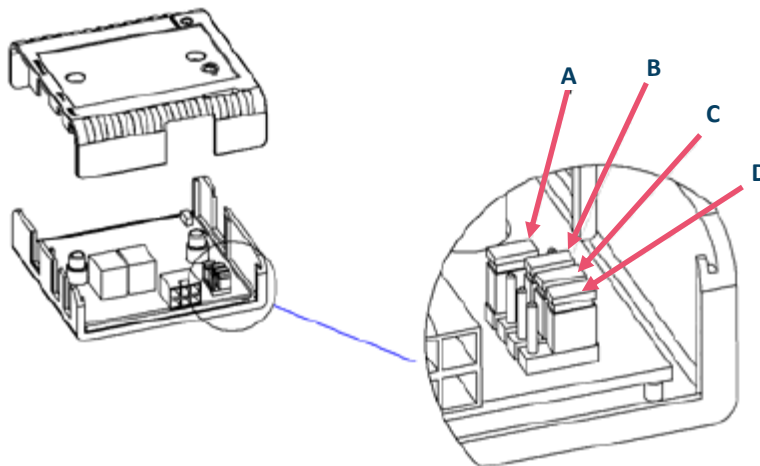
Default Right Position = Single pressing your remote emitter once will trigger your lift into its fully open or closed position. If you move the jumper to the left you will need to hold the button down on your remote emitter. Letting go of the button in this position will stop the lift automatically. This setting is handy for use in a environment where a higher level of safety is required

## Jumper C- Auto-Reverse Time (Type A Lifts Only)

Default Right = Reverse period of 1 second. If moved into the left position the reverse time is reduced to approximately 0.6 seconds

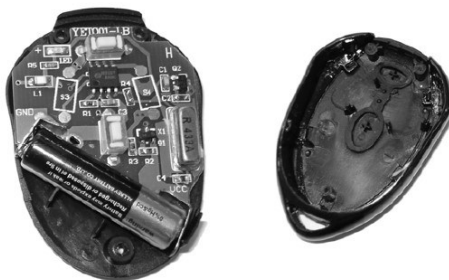
## Jumper D—Using The Lift Upside Down (Type A Lifts Only)

Default Right = Normal Operation in an upright position (I.E raising the TV up and down from a floor standing cabinet). If moved the into the left position the auto-reverse function will work with your lift mounted upside down. If no auto-reverse function is needed simply remove the jumper entirely.



## **Changing Battery In Emitter**

- Unscrew and remove lid on back side
- Check original battery type and purchase a like for like replacement
- Lift up original battery and dispose of safely
- Place new battery



**Have any questions? Call us on 01702 826 267**

**WWW.HIDDENLIFT.CO.UK**