

Hi Lo Mono 600- Free Standing 8426

-Max capacity 130kg -Screens upto 86"

WARNING ! THIS IS NOT A TOY !

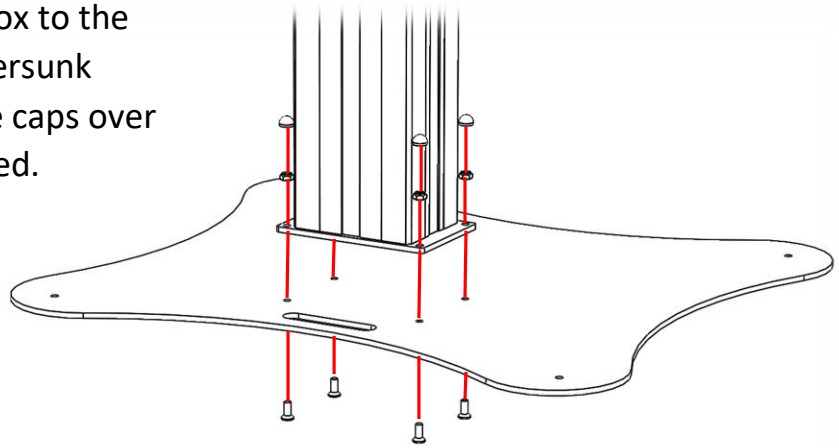
**WARNING ! CHILDREN SHOULD NOT OPERATE LIFT OR HAVE ACCESS TO THE
OPTIONAL REMOTE CONTROL !**

Safety instructions

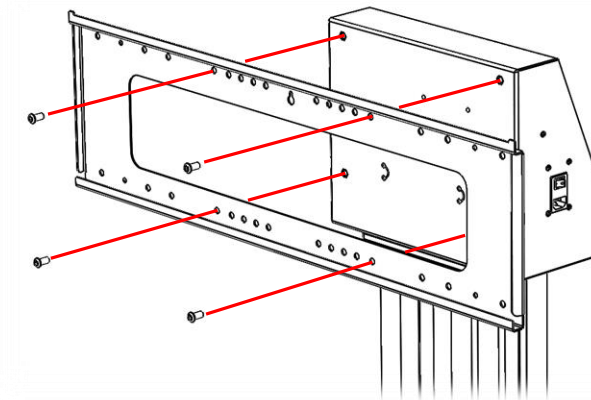
Use the following safety guidelines to help protect your lift from potential damage and to ensure your own personal safety.

- Read all the installation instructions before testing or installing your lift.
- The area below moving parts of the lift and screen **MUST** be kept clear of obstructions.
- Keep the optional remote control out of reach of children.
- To prevent bodily injury, keep hands and clothing away from the lift while the lift is in operation.
- Before installing the lift or working with its connections, unplug the lift from the mains power supply socket
- Do not place the lift in places subject to extreme temperatures for example near a radiator, or heating vent.
- The Electric lift must only be mounted in a dry area and it must be ensured before use that the lift is safe or protected from liquid contact or spillage.
- Unplug the lift **IMMEDIATELY** in the following conditions:
 - When the power cord or plug is damaged or frayed.
 - If liquid has spilled into the lift.
 - If the lift has been exposed to rain or water.
 - If the lift exhibits a distinct change in performance, indicating a need for servicing.
- **MANUFACTURERS** who build this Lift into other products or use it with other products, **MUST** make sure to prevent bodily injury. The **MANUFACTURER** is responsible to give the end user proper warnings and instructions for use.
- When adding a TV or any other equipment the party adding this TV or equipment is responsible for ensuring the stability and safe operation of the lift.
- The lift should only be used on a flat floor area.

1. Bolt the lift column and head box to the base using the four M10 countersunk bolts and nylock nuts. Press the caps over the nuts once the base is secured.

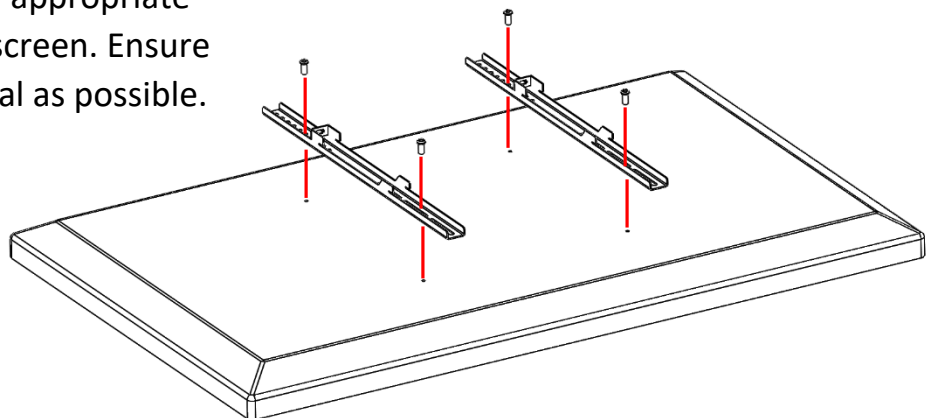


2. Secure the mount to the headbox using four M8 bolts.

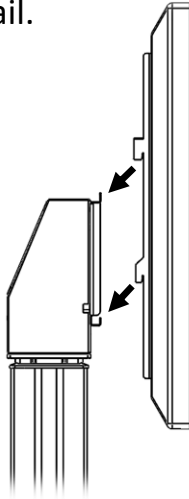


3. If required the base can be bolted to the floor for extra stability.

4. Fix the brackets to the back of the screen using fixings of an appropriate size and length for your screen. Ensure the brackets are as central as possible.



5. Hook the screen onto the mount rail.



6. Secure the screen in place by fixing through the brackets into the mount plate, use the M5x50mm Bolts and washers provided.

