

TS600B

Original

338390.10

EN - Assembly Instruction and User Manual (Page 2)

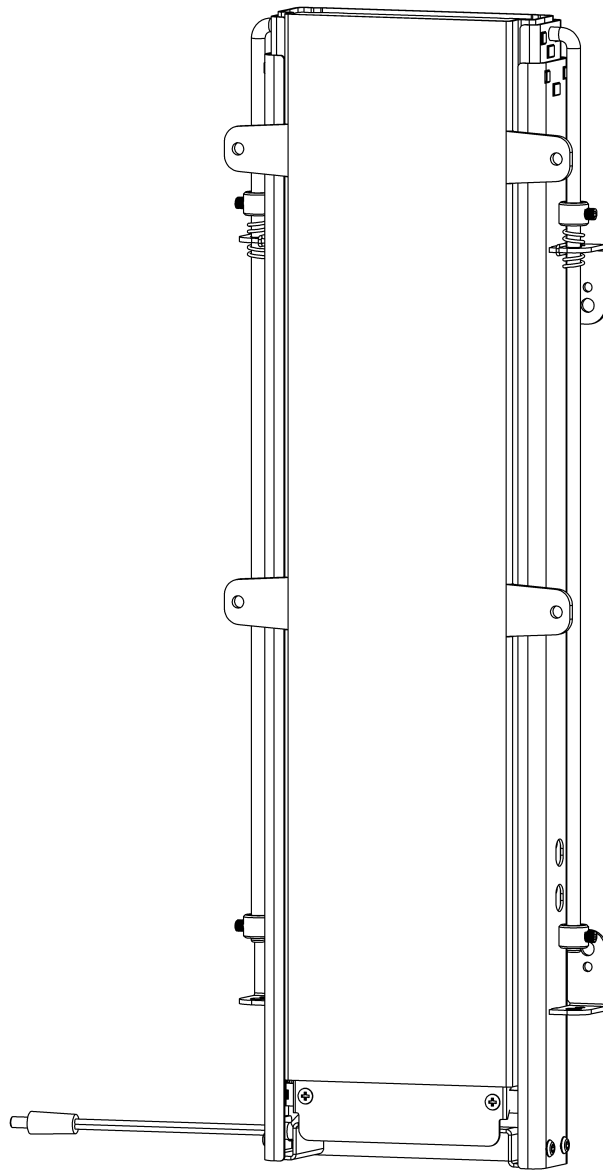


TABLE OF CONTENTS

1. Safety and warnings
2. Usage
3. Set up and installation
4. Operation
5. Maintenance and defects
6. Technical data
7. Parts
8. Assembly Instructions
9. Declaration of conformity

IMPORTANT NOTES!

A TV larger than 40" must never be mounted on the TS600b, a larger TV than 40" would compromise the stability of the lift.

1. Safety and warnings

Use the following safety guidelines to help protect your lift from potential damage and to ensure your own personal safety.

Read all the installation instructions before testing or installing your lift.

Follow all safety instructions.

Keep control switch out of reach of children.

To prevent bodily injury keep hands and clothing away from the lift while the lift is in operation.

Before installing the lift or working with its connections, unplug the lift from the electricity main supply.

Do not install the lift or power supply in places subject to high temperatures for example near a radiator, or heating vent.

The TV lift must only be mounted in a dry area and it must be ensured before use, that the lift is safe or protected from liquid contact or spillage.

To avoid damaging the power supply and power cord, do not put anything on it or place it where it could become damaged.

Unplug the lift in the following conditions:

- When the power cord or plug is damaged or frayed.
- If the lift or power supply has been exposed to rain or water or any liquid contamination whatsoever.
- If the lift exhibits a distinct change in performance, indicating a need for attention.

2. Usage

Venset lifts are sold as a component to combine with other products, eg. With a flatscreen television on its own or combined with a cabinet, both examples would be common usage. It is the responsibility of the installer of the lift to decide if the lift is suitable for their purpose and for any safety aspects concerning their overall product and installation.

Example: if you fit a very large TV on a single lift without adding additional runners and it causes too much flex or tilt this cannot be considered as a warranty claim

Notes on maximum load:

3. TV+ LID CONTACT LOAD must never exceed the maximum of 8kg(see page 8).

- TS600B is a lightweight compact TV lift - If you are adding a hinged lid then the design must cause minimal stress and load on the TV lift
- The contact point for the lid lifter bracket must always be adequately far forward of the hinge line and spring close hinges or any kind of restriction upon the lid opening must never be used such as magnetic catches or gas springs.
- Be aware that a lid panel weighing only 1kg can create more than 2.5kg contact load if the bracket contact point is not far enough away from the hinge line.
- A TV larger than 40" must never be mounted on the TS600B, a larger TV than 40" would compromise the stability of the lift. Any deviation from this maximum loading will invalidate the warranty.

3. Set up and installation

in a location that will allow full up and down movement of the lift.

4. Operation

UP/DOWN operation:

- Push the buttons for operation up or down
- Optional RF emitter R315290



Prior to installment, use and maintenance of the lift, any installer and any user of the table must study this assembly and operation manual carefully, so as to gain a complete understanding of its contents. WARNING: FAILURE TO COMPLY WITH OR OBSERVE ALLASSEMBLY, SAFETY AND OPERATION INSTRUCTIONSAND WARNINGS REGARDING THE USE OF THIS PRODUCT MAY RESULT IN SERIOUS BODILY INJURY

5. Maintenance and defects

- The lift does not require any maintenance.
- The lift is only to be maintained with a damp cloth
- In the event of the occurrence of any abnormal noises during operation, STOP using the lift and please contact the dealer.

6. Technical data

Frame, materials	Steel, powder lacquered
Weight	6,2 kg
Width	150 mm
Depth	43 mm
Height	500-1100 mm
Max. load	0 to 8 kg (See usage for details!)
Speed	*Dependent on load case
Duty cycle	10% by 50% of max. load on frame or max. 2 min. continuously
Operation	Micro switches
Voltage	100-240 VAC 50/60 Hz
Standby Consumption	< 0,15 Watt

7. Parts

(Optional extra parts can be found on page 12) Standard included parts - See page 4.

8. Assembly Instructions

See page 5 - 12.

9. Declaration of conformity

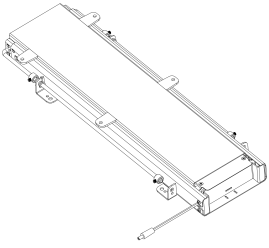
We hereby declare, under our sole responsibility that the following products:- VENSET TV-lift product type TS600B is in accordance with- Directive 2006/42/EF of the European Parliament and of the Council of 17 May 2006 on machinery and on changes of directive 95/16/EF With reference to the above please be aware that:- the TV-lift is considered a partly completed machinery and- the TV-lift may not be used until it has been assembled and installed according to the instructions.

Manufacturer

VENSET A/S | Industrivej 23 | 6900 Skjern | Denmark
www.venset.com | Tlf.: +45 97354611 | info@venset.com

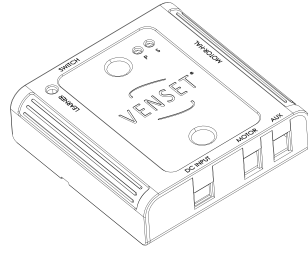
7. Parts

(A) TS600B Lift



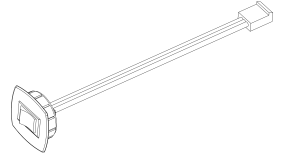
x1

(B) Control Box



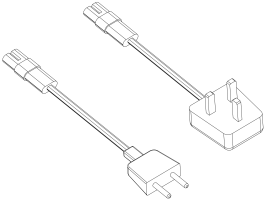
x1

(C) Rocker Switch



x1

(D) AC Cord



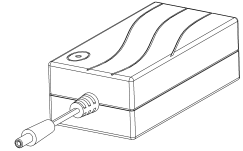
x1

(E) Rubber Washer



x4

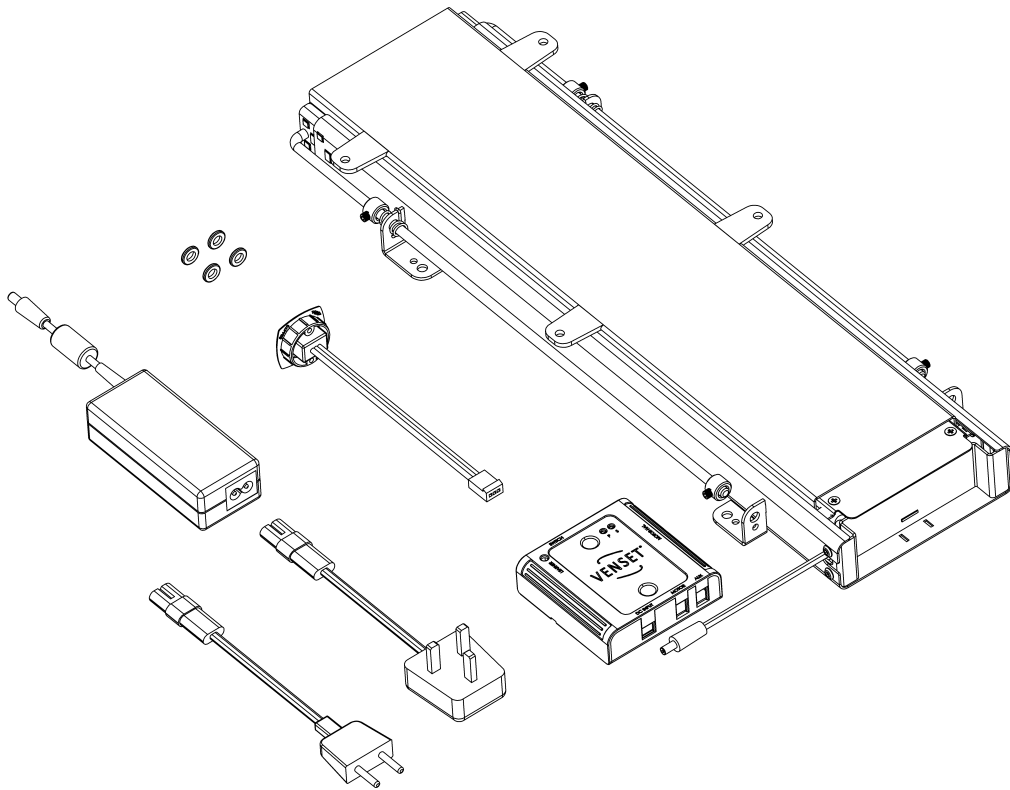
(F) Power Supply



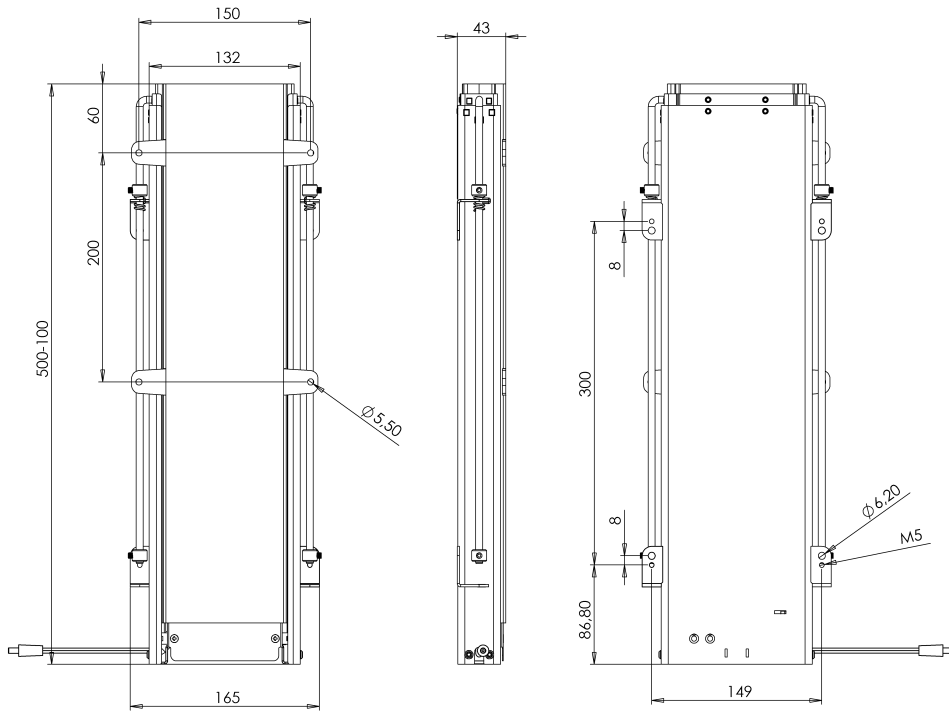
x1

8. Assembly Instruction and User Manual

1 Parts for assembly

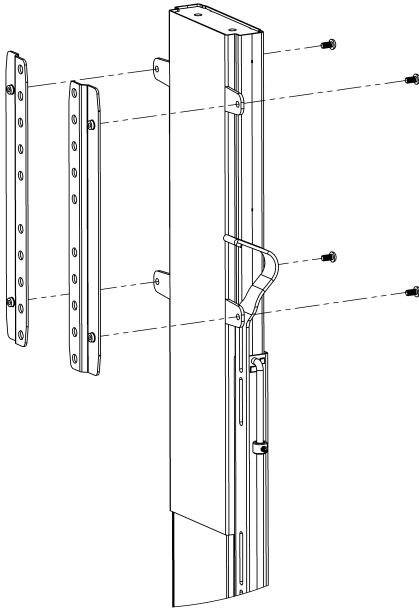


2 Lift dimensions

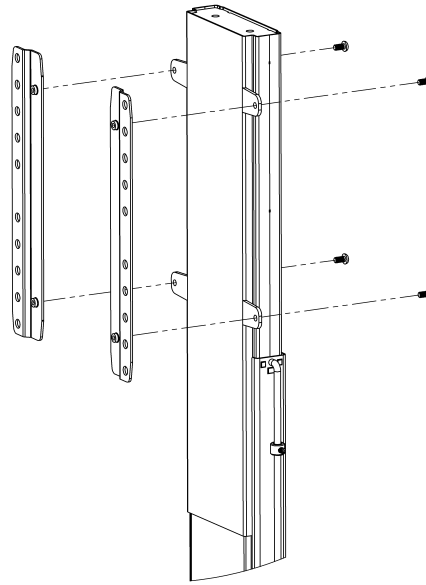


3 TK600 VESA mount adapter kit optional

VESA 100x100



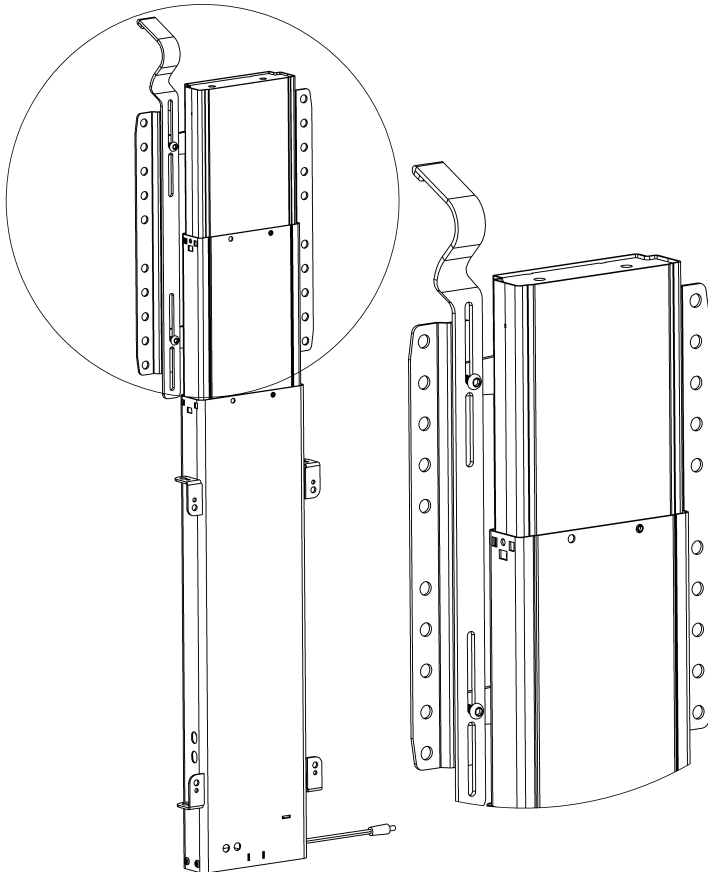
VESA 100x100 and VESA 200x200



The optional TK600 – VESA mount adapter kit can be mounted in two different mounting directions to fit either VESA 100x100 or VESA 200x200 and 200x100 standard.

For VESA 400x200, order bracket MB003 B1 and fit this combined with the TK600 bracket.

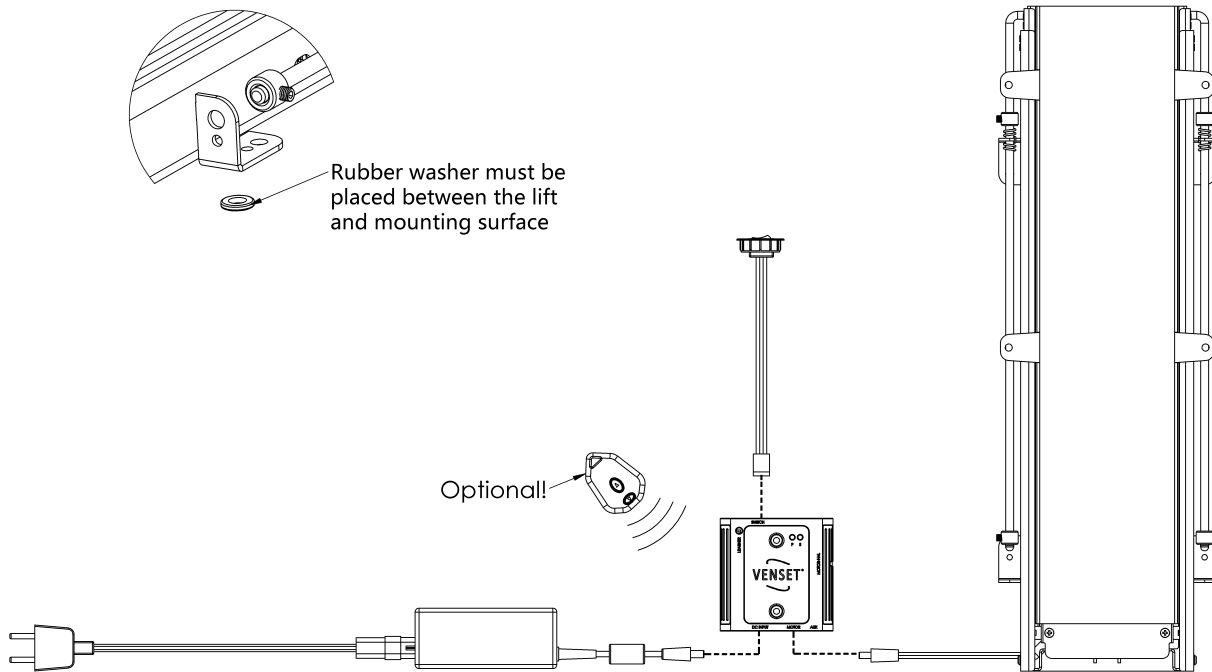
4 Lid lifter optional



- The loading impact to the lift by lifting a hinged lid must be included in the total load, along with VESA brackets and TV weight.
- Always adjust the travel position/height range of the lift so that the lid lifter is touching the lid or within 3mm of the lid underside when the lift is closed otherwise the auto-stop system may operate when the lid lifter contacts the lid to open it.
- The cabinet should always be designed to minimize the load from the lid, the hinge line distance to the lid lifter contact point has a significant affect on this.

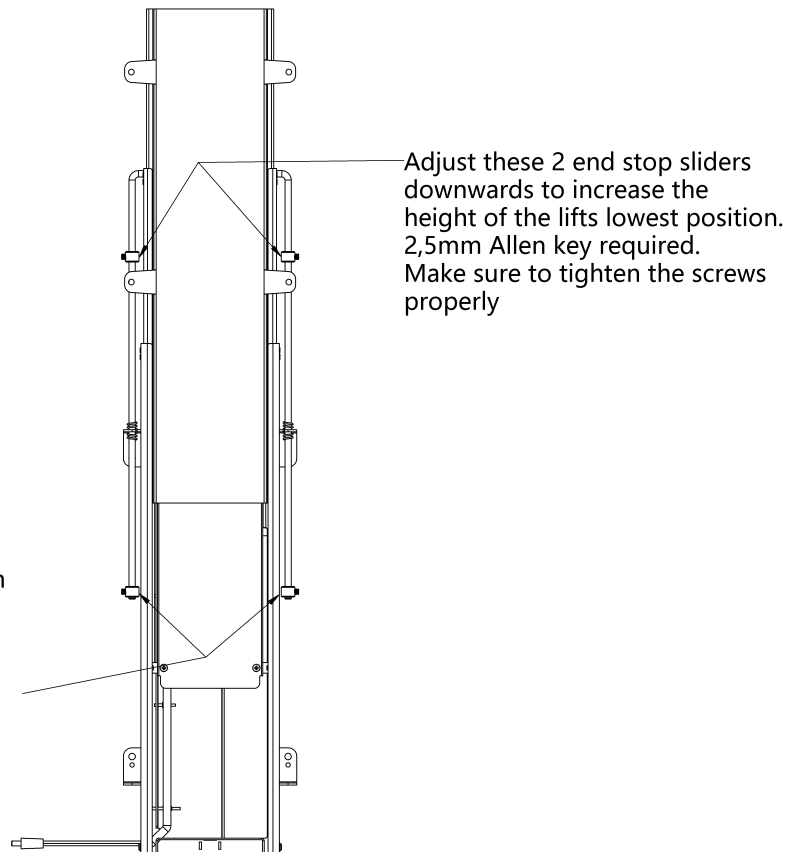
5 Connecting The Lift

IMPORTANT! - only lightly tighten your mounting screws, no tension must be caused across the lift body!



6 Endstop adjustment

Adjust these 2 end stop sliders upwards to decrease the maximum height of the lifts upper position. 2,5mm Allen key required. Make sure to tighten the screws properly.



7 Selecting operation mode 1 of 2

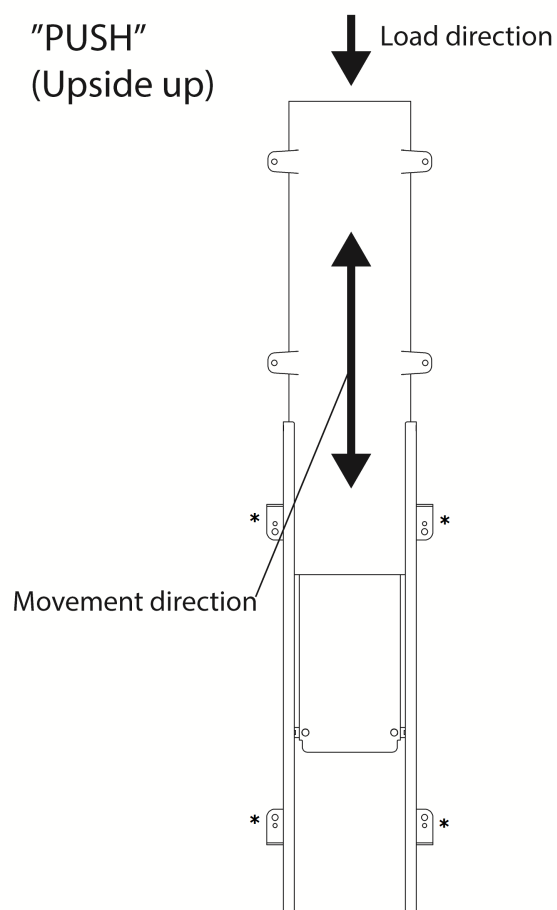
Before using the TS600B tv-lift it is important to choose the right settings for the control box this is to ensure the highest level of safety.
Follow the 3 steps, to find which setting suits your use the best.

1. Choose your load setting
 - Load setting 1 Intended for use when the total load on the lift is between 0 kg and 2 kg.
 - Load setting 2 Intended for use when the total load on the lift is between 2 kg and 4 kg.
 - Load setting 3 Intended for use when the total load on the lift is between 4 kg and 6 kg.
 - Load setting 4 Intended for use when the total load on the lift is between 6 kg and 8 kg.
2. Choose the mode of operation for the rocker switch
 - Hold to run - TS600B only operates as long as the switch is held down.*
 - Auto (ONLY AVAILABLE WITH RF REMOTE) - Only a single click on the RF remote is required to start or stop operation of the TS600B*
3. Choose the mode of operation of the lift
 - Either "PUSH" or "PULL" - see step 8 on page 8.

*The auto mode is not usable with rocker switch.

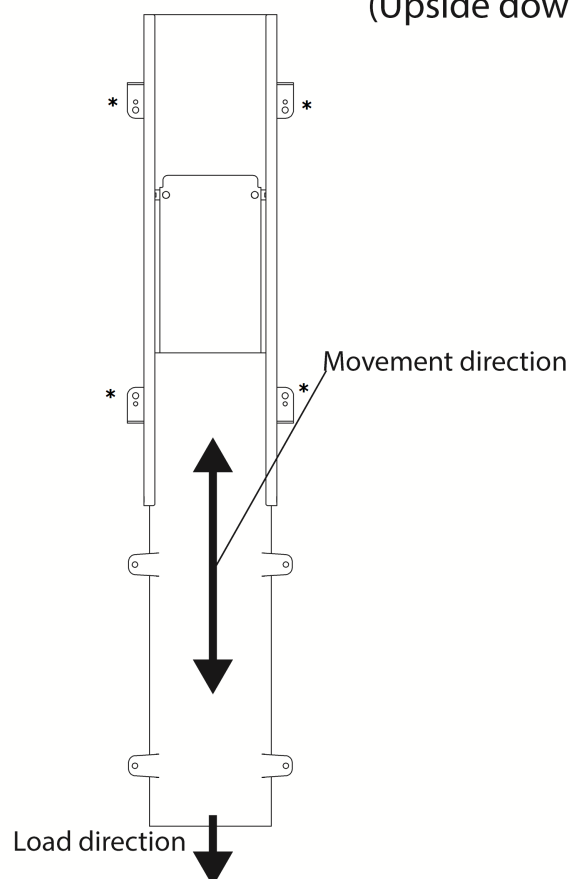
8 Selecting operation mode 2 of 2

"PUSH"
(Upside up)



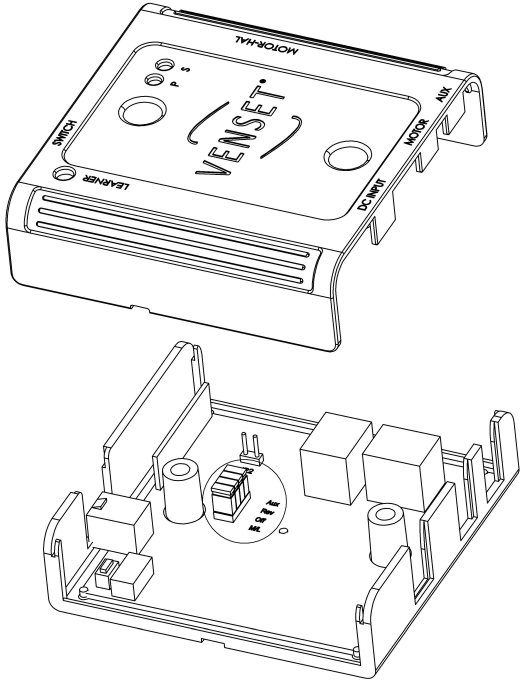
* This symbol marks the fixed points

"PULL"
(Upside down)

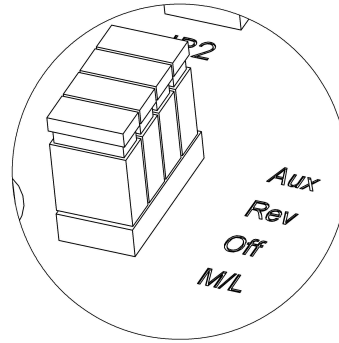


9 Choosing operation mode using jumper settings in control box

Take off the control box lid to adjust the jumper settings.



The jumper setting for TS600B are preset from the factory as shown below.

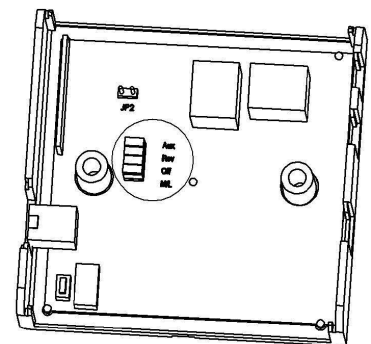


From step 10 to 14 all the jumper settings are shown.

10 Jumper Settings Load 1

Load 1 : 0 kg to 2 kg


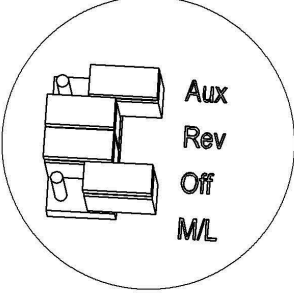
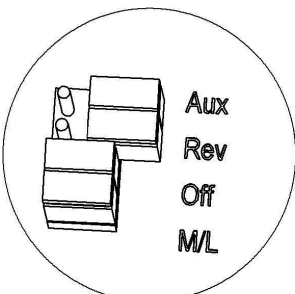
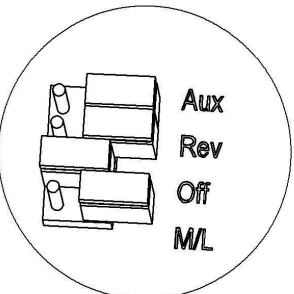
	MODE - HOLD TO RUN	MODE - AUTO Only with remote R315290!
LIFT OPERATION "PUSH"		
LIFT OPERATION "PULL"		

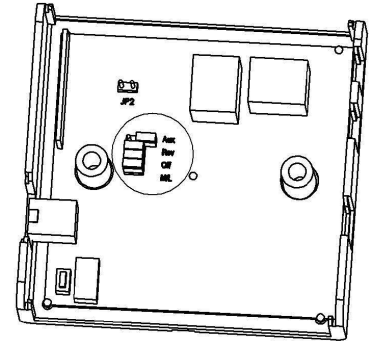


See page 8 for explanation of "PUSH" and "PULL"

11 Jumper Settings Load 2

Load 2 : 2 kg to 4 kg

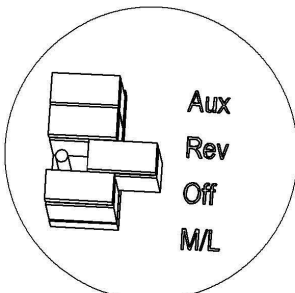
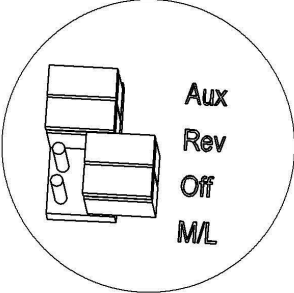
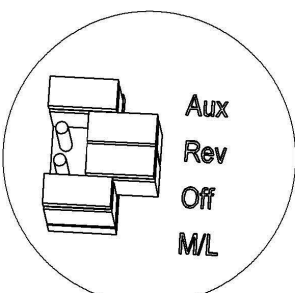
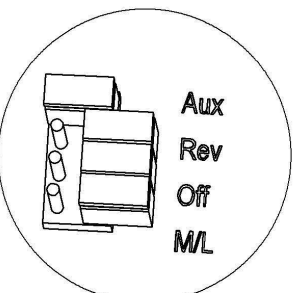
	MODE - HOLD TO RUN	MODE - AUTO <small>Only with remote R315290!</small>
LIFT OPERATION "PUSH"		
LIFT OPERATION "PULL"		

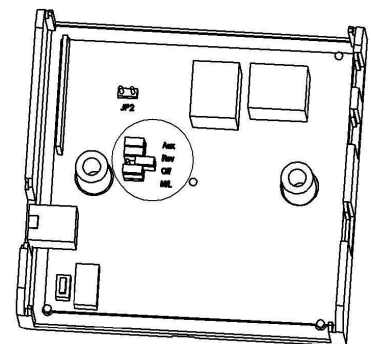


See page 8 for explanation of "PUSH" and "PULL"

12 Jumper Settings Load 3

Load 3 : 4 kg to 6 kg

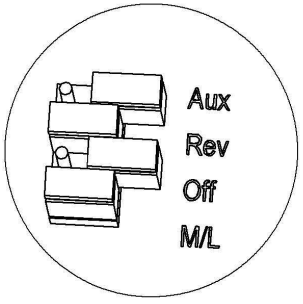
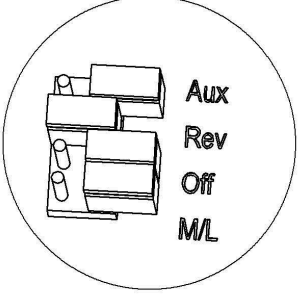
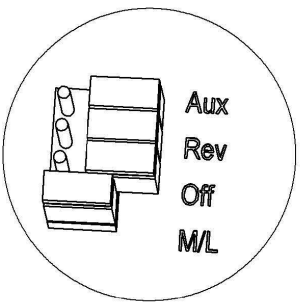
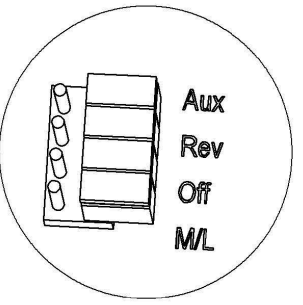
	MODE - HOLD TO RUN	MODE - AUTO <small>Only with remote R315290!</small>
LIFT OPERATION "PUSH"		
LIFT OPERATION "PULL"		

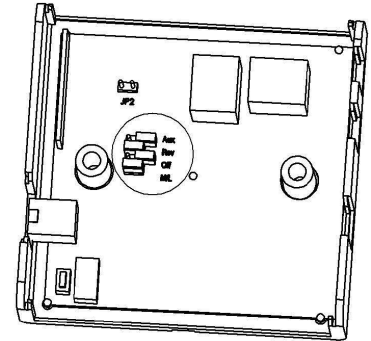


See page 8 for explanation of "PUSH" and "PULL"

13 Jumper Settings Load 4

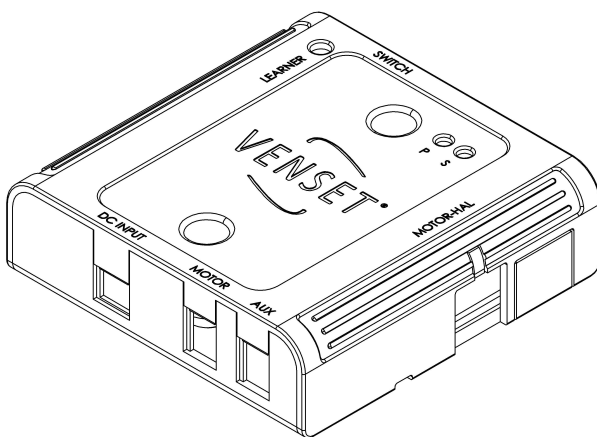
Load 4 : 6 kg to 8 kg

	MODE - HOLD TO RUN	MODE - AUTO Only with remote R315290!
LIFT OPERATION "PUSH"		
LIFT OPERATION "PULL"		

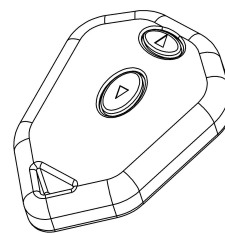


See page 8 for explanation of "PUSH" and "PULL"

14 Remote Learning optional



IR/RF remote

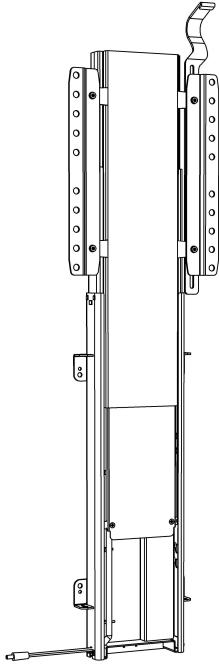


Push the Learner button on the control box for less than 1 sec.

- The red LED will turn on
- Push one of the RF emitter buttons
- The red LED will start flashing
- When the red LED stops flashing, the units now are coded together with a unique code
- To abort a learning operation push the Learner button once more. The red LED will turn off and the control box is back into normal operation mode.

TK600 TV kit B1

Includes VESA brackets and lid lifter

**RF emitter**

R315290



0kg required in your total load assessment to use this bracket but you must add the contact point loading of your lid (see page 6 no.4) SB000