

## Hi Lo Mono 500/600 – Wall Mounted 8430 and 8431

**-Max capacity 130kg   -Screens upto 86”**

**WARNING ! THIS IS NOT A TOY !**

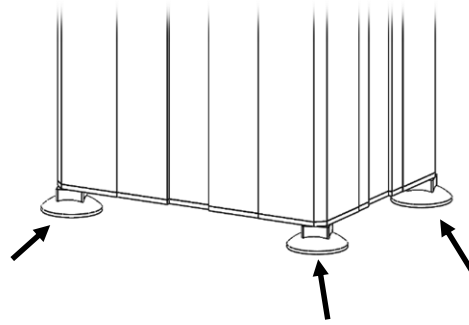
**WARNING ! CHILDREN SHOULD NOT OPERATE LIFT OR HAVE ACCESS TO THE OPTIONAL REMOTE CONTROL !**

### Safety instructions

Use the following safety guidelines to help protect your lift from potential damage and to ensure your own personal safety.

- Read all the installation instructions before testing or installing your lift.
- The area below moving parts of the lift and screen **MUST** be kept clear of obstructions.
- Keep the optional remote control out of reach of children.
- To prevent bodily injury, keep hands and clothing away from the lift while the lift is in operation.
- Before installing the lift or working with its connections, unplug the lift from the mains power supply socket
- Do not place the lift in places subject to extreme temperatures for example near a radiator, or heating vent.
- The Electric lift must only be mounted in a dry area and it must be ensured before use that the lift is safe or protected from liquid contact or spillage.
- Unplug the lift **IMMEDIATELY** in the following conditions:
  - When the power cord or plug is damaged or frayed.
  - If liquid has spilled into the lift.
  - If the lift has been exposed to rain or water.
  - If the lift exhibits a distinct change in performance, indicating a need for servicing.
- **MANUFACTURERS** who build this Lift into other products or use it with other products, **MUST** make sure to prevent bodily injury. The **MANUFACTURER** is responsible to give the end user proper warnings and instructions for use.
- When adding a TV or any other equipment the party adding this TV or equipment is responsible for ensuring the stability and safe operation of the lift.
- The lift should only be used on a flat floor area

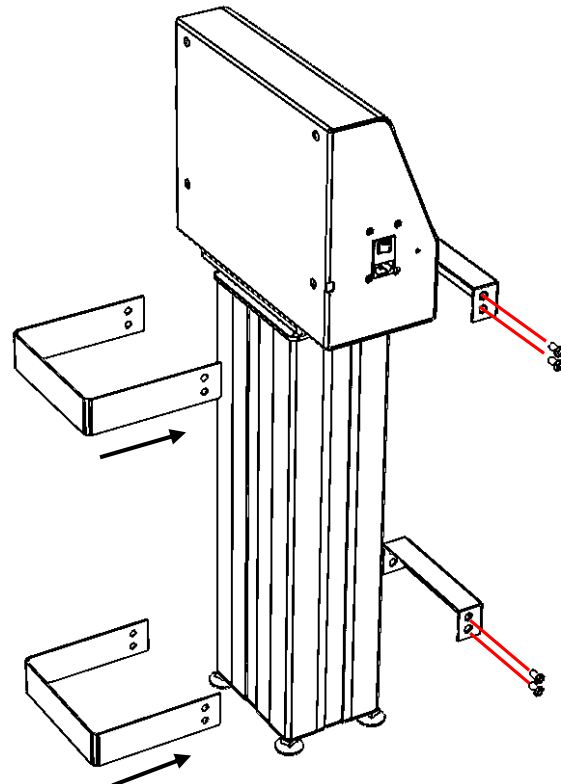
1. If using adjustable feet thread the feet into the base of the column, then stand the column upright and use the feet to level it.



2. Bolt the brackets to the column as shown using four M8\*20mm bolts for each bracket.

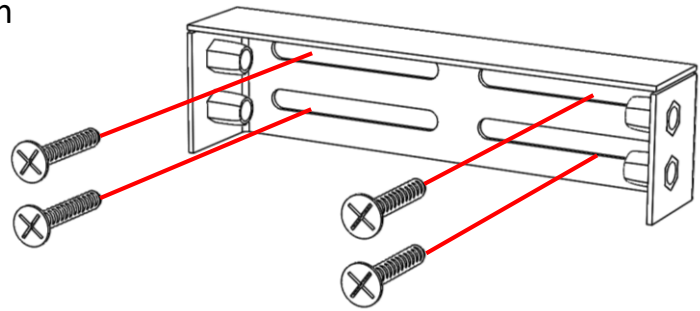
The upper bracket should be positioned as high as possible on the column and should sit just below the collar.

The lower bracket should be mounted be no more than 125mm from the bottom of the column (measured to the center of the bracket).

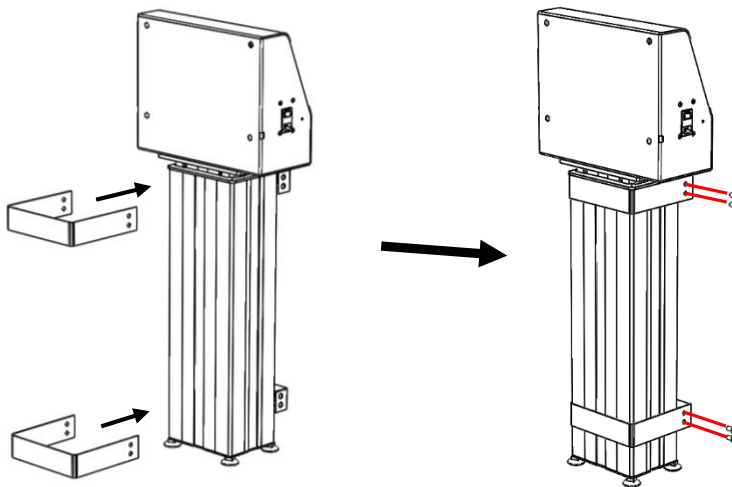


3. Move the column against the wall where it is to be mounted and mark the positions of the brackets on the wall.
4. Move the column away from the wall and remove the brackets. Place the brackets against the marks made in the previous step and mark the positions of your fixings in the slots.

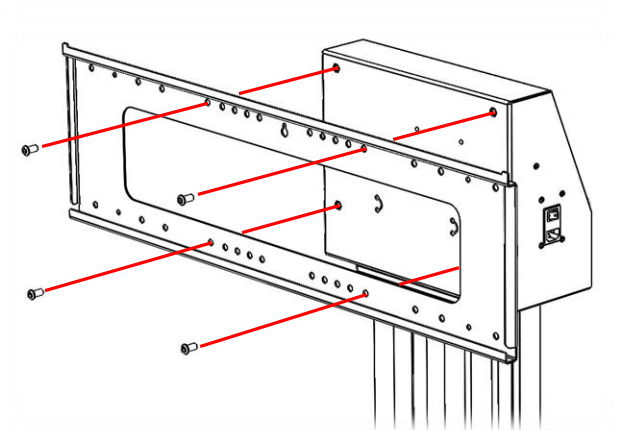
5. Drill the holes for the fixings and then fix the mounts to the wall using the appropriate fixings. Ensure the brackets are vertically aligned.



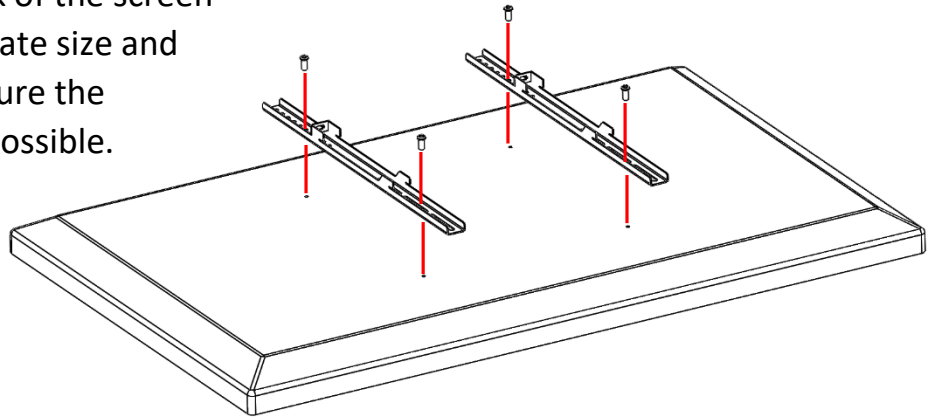
6. Move the column up against the two brackets on the wall, then slide the U-shaped part of bracket around the column and secure in place using four M8 bolts for each bracket.



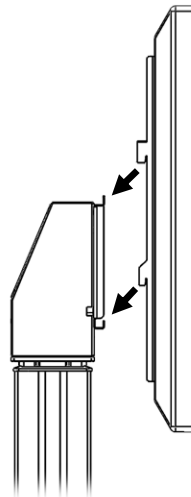
7. Fix the mount plate to the headbox using four M8 bolts.



8. Fix the brackets to the back of the screen using fixings of an appropriate size and length for your screen. Ensure the brackets are as central as possible.



9. Hook the screen onto the mount rail.



10. Secure the screen in place by fixing through the brackets into the mount plate, use the M5x50mm Bolts and washers provided.

