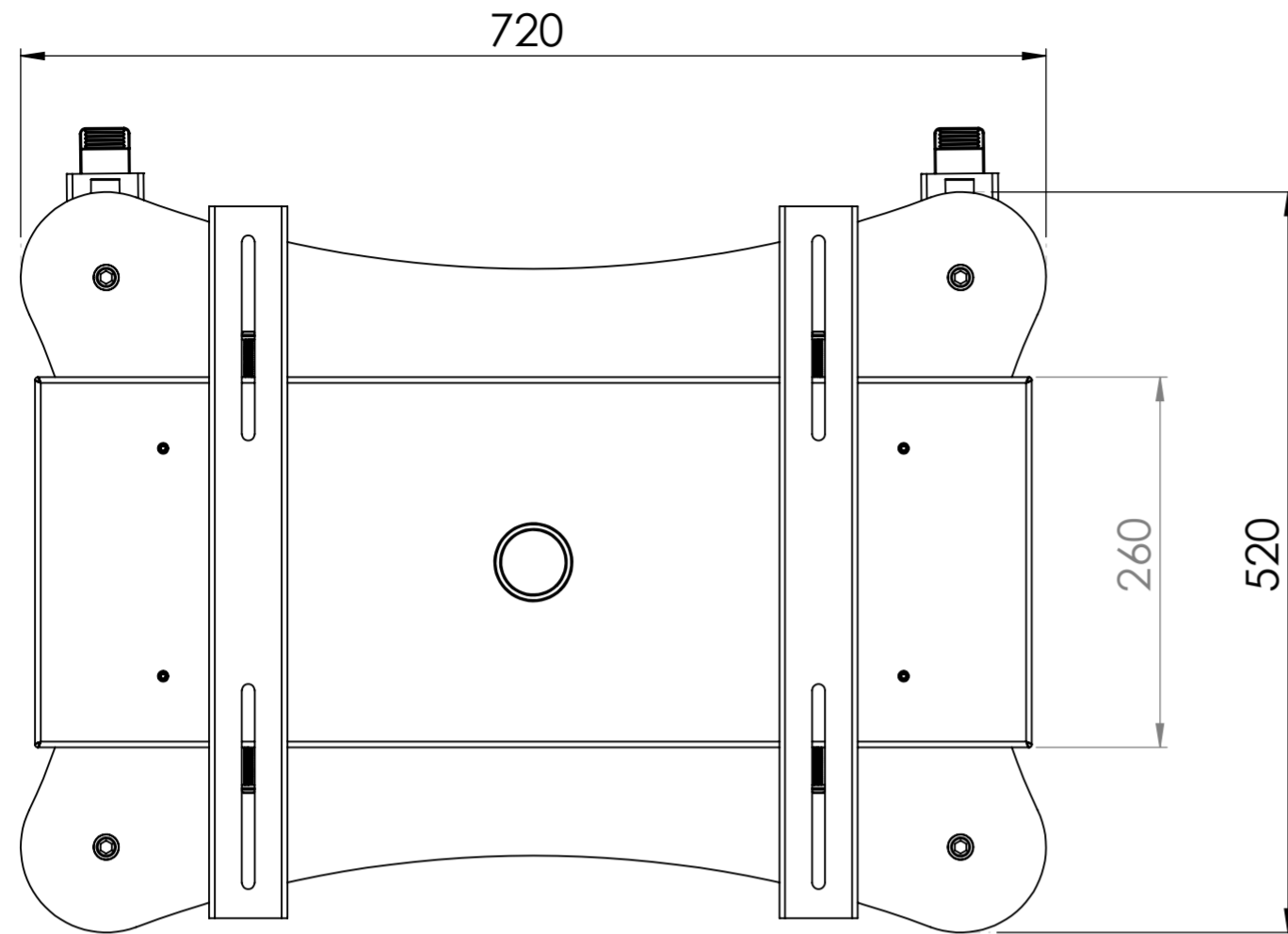


Mono Electric Table Mobile Mount - 8523

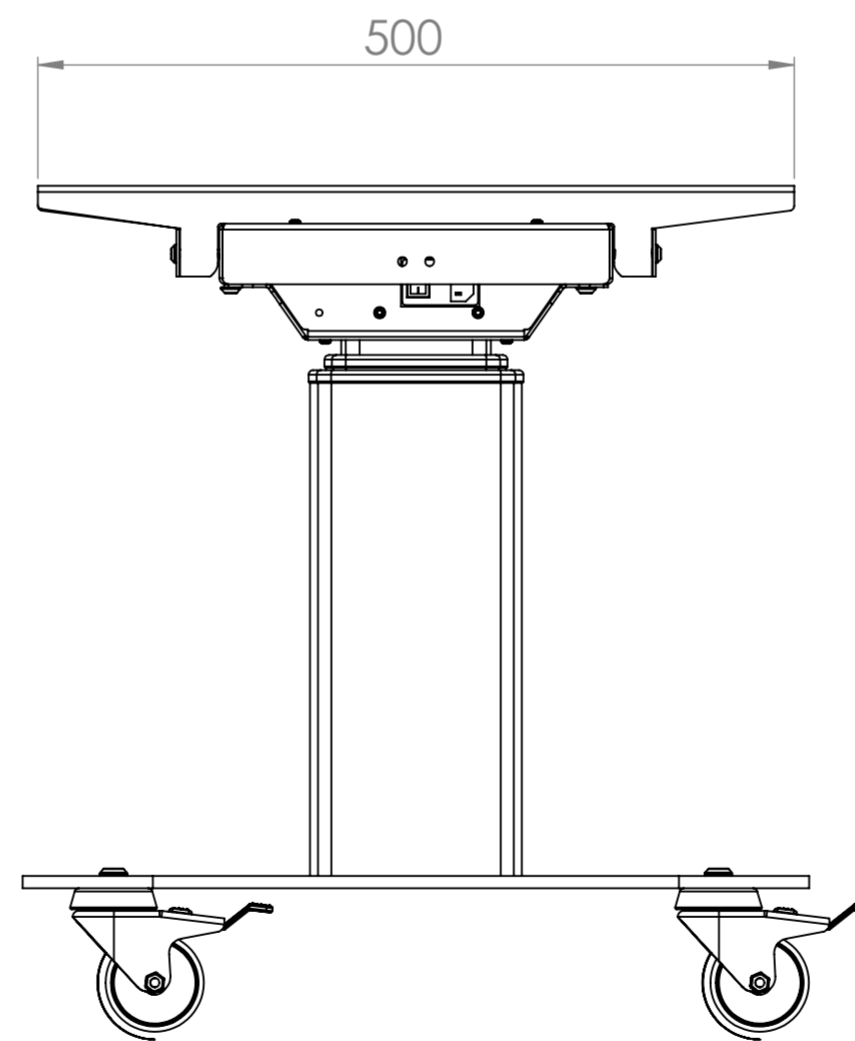
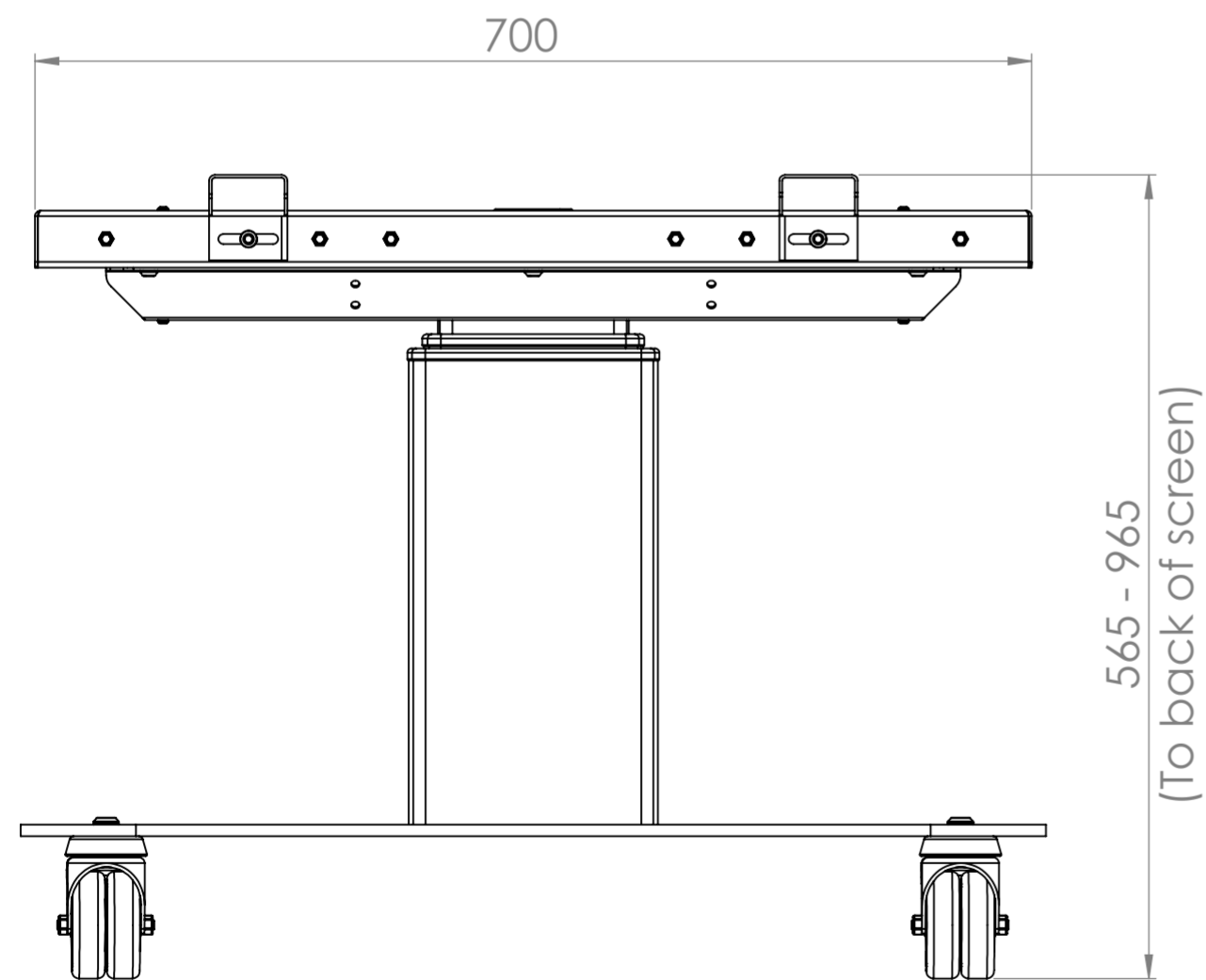
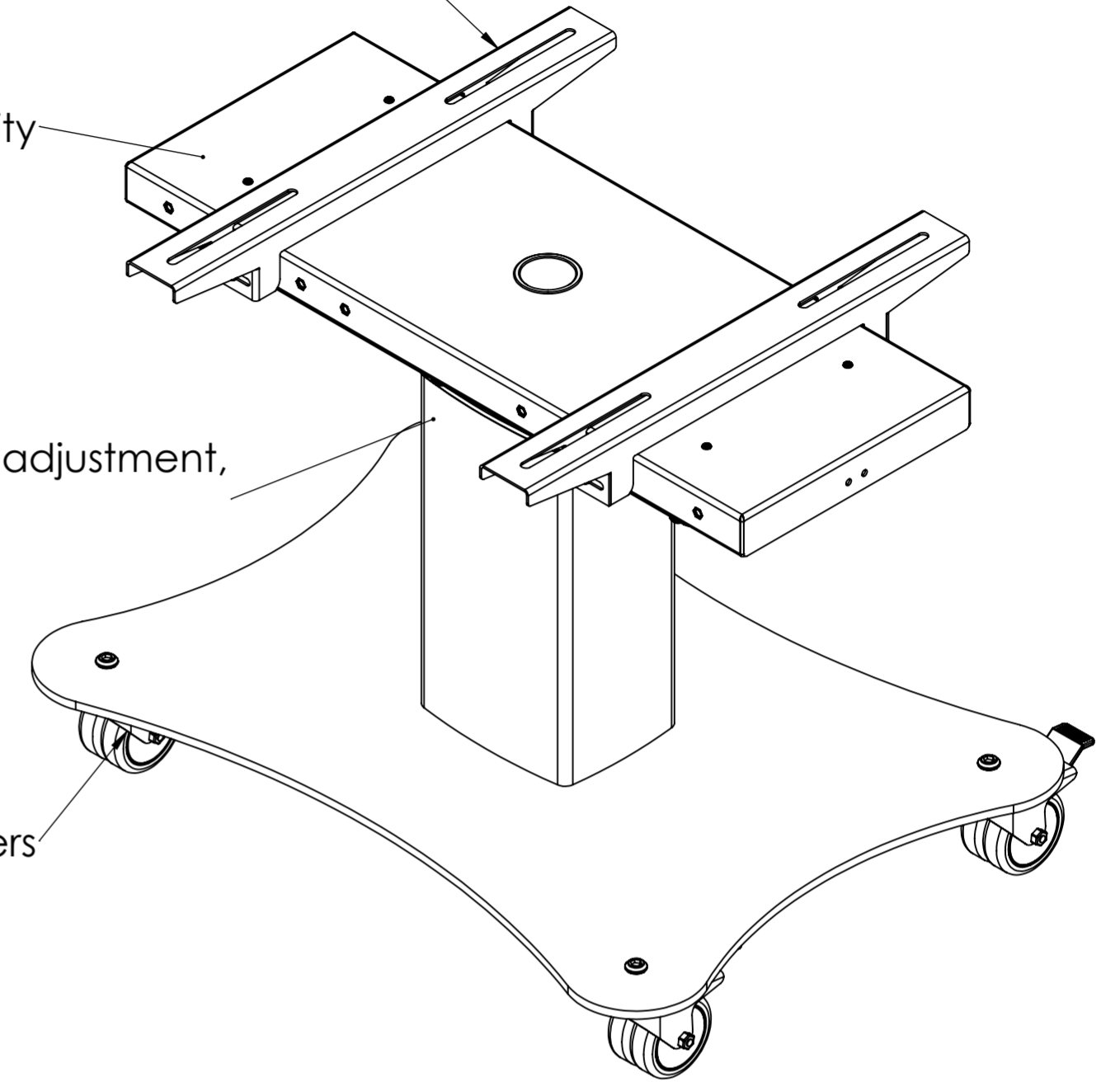
Suitable for VESA patterns 200, 300, 400
and 600mm wide and between 200- 440mm high



75Kg Max capacity

400mm Electric height adjustment,
465 - 865mm

Trolley base with lockable casters



LOXIT
PRODUCTS

Loxkit Limited
First avenue
Poynton Industrial Estate
Poynton
Cheshire
England
SK12 1YJ
t: +44 (0) 845 519 5191
w: www.loxkit.com

The copyright of this drawing is retained by Loxit limited
This drawing may not be reproduced without prior written permission of Loxit limited

*Dimensions given to a tolerance of +-3mm