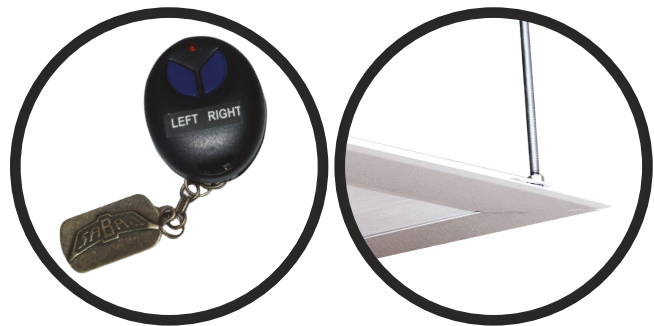



WiFi Ready
K-SMRT
accessory
on page 56



Universal Projector Lift

Ceiling mounted projector lift. Slim design - requires only 105 mm + projector, to be hidden. The Premium control box allows setting both top and low positions. The maximum lowering distance of 560 mm. Active RJ-45 Port allows using all the SABAJ accessories with this unit. RF Operated with remote attached - RF signal can easily go through plywood or plaster-cardboard construction, eliminating the necessity of wiring antennas or receivers outside. Easy cable management with plastic chain cable carrier - to keep everything tidy and secure. Soft start and soft stop function keep the mechanism working for even longer. The device is mechanically secured from falling down. Designed to fit in most popular standard suspended ceiling (60x60 cm), yet can carry much bigger projectors than its own size - max capacity of 20 kgs.



RF remote control included



Easy stroke adjustment



Active RJ-45 socket



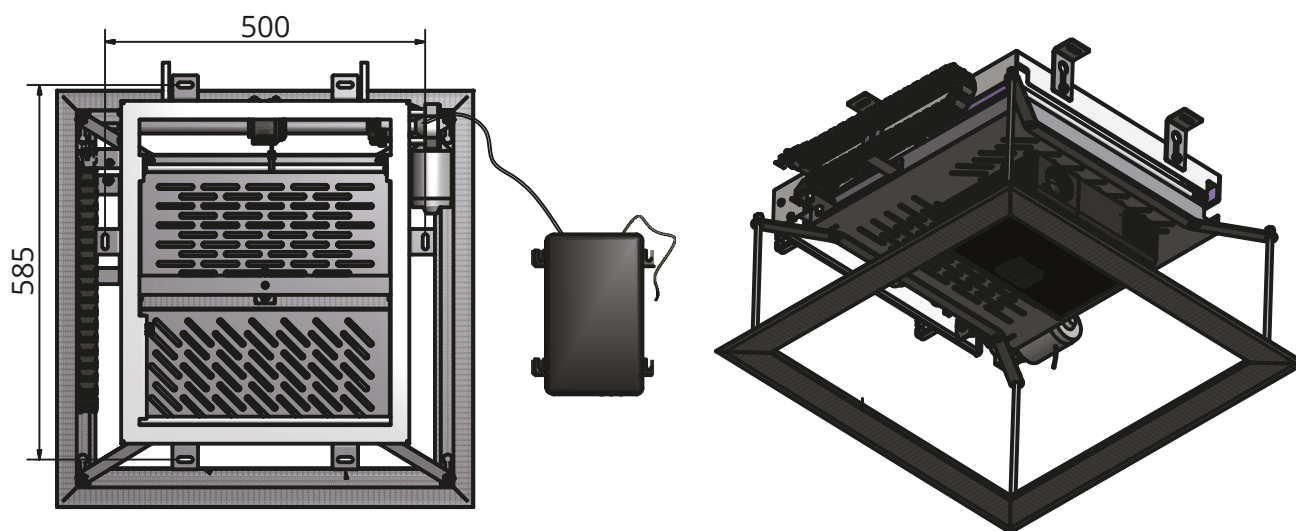
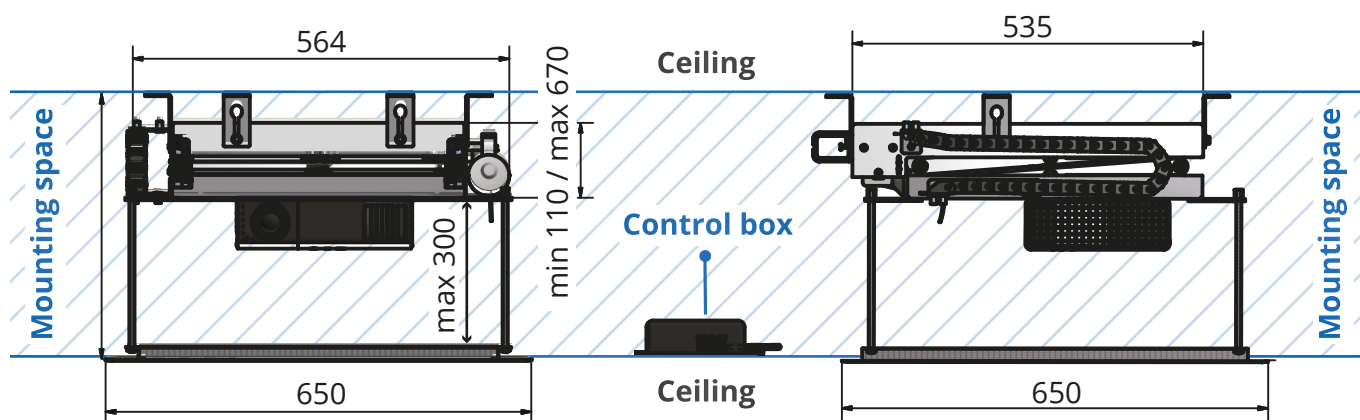
Safety systems



Cable guide



5 year warranty



Specification

	WP-560
lifting capacity	20 kg / 44 lb
max. stroke	560 mm / 22"
lifting speed	50 mm / s
weight	15 kg / 46 lb
power consumption	80W
power supply	115V/230V
safety system	mechanical fall down protection, motor overload protection